

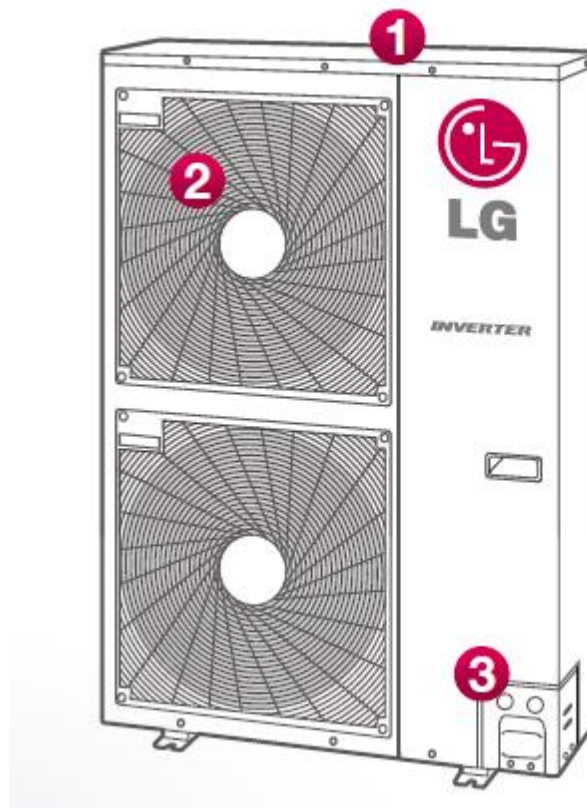
Standard Inverter

Standard Inverter



INSTALLATION MANUAL

Installation
Operation



MOV-UU

**OUTDOOR COMPRESSOR CONDENSING UNIT
PERFORMANCE LIMITATION MODULE
OPTIONAL ACCESSORIES OF THE COMMUNICATION
MODULES KM113-UU SERIES**

**DESIGNED FOR EXTERNAL UNITS
LG Electronics
model series "UU—"**

Version - 2020/07/23

1.1 APPLICATION OVERVIEW

Performance limitation module MOV-UU is an optional accessory to the communication modules KM113.27UU.

Performance limitation module MOV-UU is designed for direct reduction of the output power of the external compressor condensing unit UU-- series.

Guaranteed compatibility of the MOV-UU (+ KM113.27UU) with LG units:

Cooling capacity	2.6 kW	3.5 kW	5.3 kW	7.1 kW	8 kW
Outdoor unit (R32, model year 2020)	UUA1.UU0*	UUA1.UU0*	UUB1.U20	UUC1.U40	UUC1.U40
Outdoor unit (R410A, model year 2019)	UU09W.UU0*	UU12W.UU0*	UU18W.UE4	UU24W.U44	UU30W.U44

Cooling capacity	10 kW	12.5 kW	14 kW	15 kW	19 kW	23 kW
Outdoor unit (R32, model year 2020)	UUD1.U30	UUD1.U30	UUD1.U30	UUD1.U30		
	UUD3.U30	UUD3.U30	UUD3.U30	UUD3.U30		
Outdoor unit (R410A, model year 2019-20)	UU36.U30*	UU42W.U32*	UU48W.U32*	UU60W.U32*		
	UU37W.U30*	UU43W.U32*	UU49W.U32*	UU61W.U32*	UU70W.U34	UU85W.U74

*cannot be applied to MOV-UU

The performance of the outdoor unit changes based on the change in the required evaporating / condensing pressure.

When using MOV-UU, the algorithm of the compressor unit is activated to reach the evaporating pressure (approx. 11 to 8 bar / 14 to 6 ° C) according to the setting of power code C1 to C7. In the heat pump mode, according to the setting of power code H1 to H7, the algorithm of the compressor unit is activated to reach the condensing pressure (approx. 19 to 29 bar / 33 to 49 ° C).

These temperatures are variable according to the specific installation conditions (the above values apply to a pipe length of 7.5 m, elevation 0 m).

WARNING: Do not change the power requirement too quickly. The request should not be changed for at least 30 seconds, otherwise the outdoor unit may be damaged.

1.2 CONNECTION OF THE POWER LIMITATION MODULE TO THE COMPRESSOR UNIT

Make sure that the compressor unit is de-energized!
There is a risk of electric shock and damage to the device when installing the module under voltage!

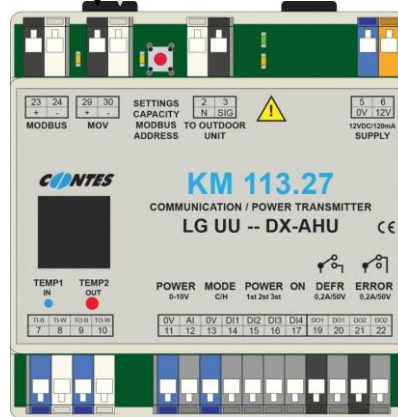
Install the MOV-UU power limitation module in the external compressor unit - the module is connected to the CN-CENTRAL connector on the PCB of the compressor unit.



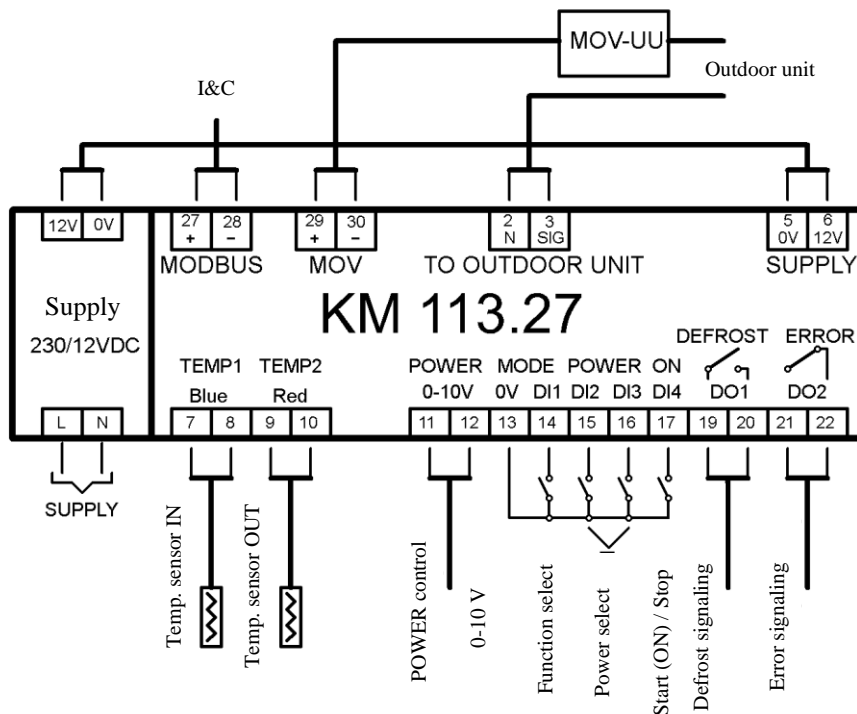
Wiring diagram of MOV-UU to the compressor unit UU-- + KM113.27UU module (Fig.1)
 (example for UU18W.UE4 unit)



Connect a suitable (shielded) communication cable between the MOV-UU terminals and the "MOV" terminals of the KM113 module (terminals 29 + 30). Attention, it is necessary to observe the polarity/color of the terminals (i.e. white wire to the white terminal).



Overall diagram of terminals KM113.27UU (fig.2)



Warranty card

Equipment specifications

<i>Product</i> <i>Optional accessories of the KM113—UU communication module</i> Power limitation module of the LG Electronics outdoor compressor condensing unit model series "UU—"	<i>Model</i> MOV-UU
<i>Scope of delivery – accessories</i> Power limitation module – PCB including connection connectors	<i>Serial number</i>
<i>Date of sale</i>	<i>Seller</i>
<i>Date of installation</i>	<i>Installation performed by</i>

The manufacturer provides a 24-month warranty covering the quality of the product starting on the day of sale. The warranty covers defects of the purchased product which appear during the warranty period. In order to keep your warranty valid the installation must be performed by an authorized person and the "Warranty form" must be properly filled out. The client shall always claim the given warranty rights at his own seller.

Service contacts

<i>Manufacturer (branch)</i> CONTES , spol. s r.o. Mikuleckého 1314 147 00, Praha 4	<i>Telephone</i> 261 710 655	<i>E-mail</i> info@contes.cz
<i>Distributor</i> Ran klima Jílovišská 691 155 31, Praha 5	<i>Telephone</i> 244 402 140	<i>E-mail</i> info@ran-klima.cz
<i>Seller's service</i>		